



Sealing | Technology | Knowhow



**Mechanical Seals
& Seals Supply Systems**

Stramek.com
info@stramek.com

Table of Contents

1. [Commitment and dedication](#)
2. [At your disposal](#)
3. [Products and services](#)
4. [Different and competition](#)

“Your expert partner
in Mechanical Seals”



Mechanical Seals & Seals Supply Systems

Stramek.com

Sealing | Technology | Knowhow

1

STK Stramek

Mechanical Seals & Seals Supply Systems

Introduction

1. Company Introduction

- 1.1 Stramek Origin
- 1.2 Stramek, commitment and dedication
- 1.3 Stramek, a Mechanical Seal Manufacturer
- 1.4 Stramek, around the world

1. Company Introduction

Stramek, commitment and dedication



Lay down important foundations for future Stramek projects

Passion 2008



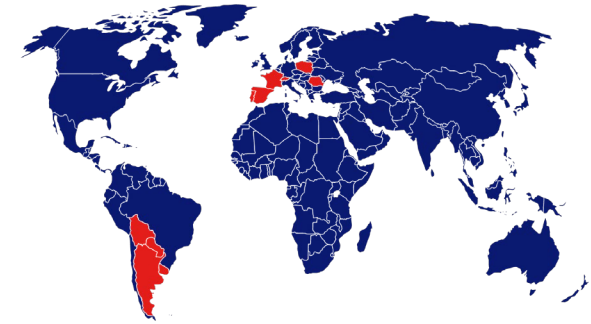
2014 *Integrity*



Excellence 2018



Progress *Innovation*



The Creation of Stramek; located in Ciempozuelos, Madrid (Spain). We are beginning to expand our reach to the rest of Europe and South America



Relocated to our new location in Seseña Nueva, Toledo (Spain). Factory with the latest technology, and the biggest, most productive service center for Mechanical Seals



We look to the future and adapt quickly to changes, offering unique and competitive solutions

Stramek.com

1. Company Introduction

Stramek, a Mechanical Seal Manufacturer

Stramek is the main Mechanical Seal manufacturer in Southwestern Europe.

An strategic situation to attend:

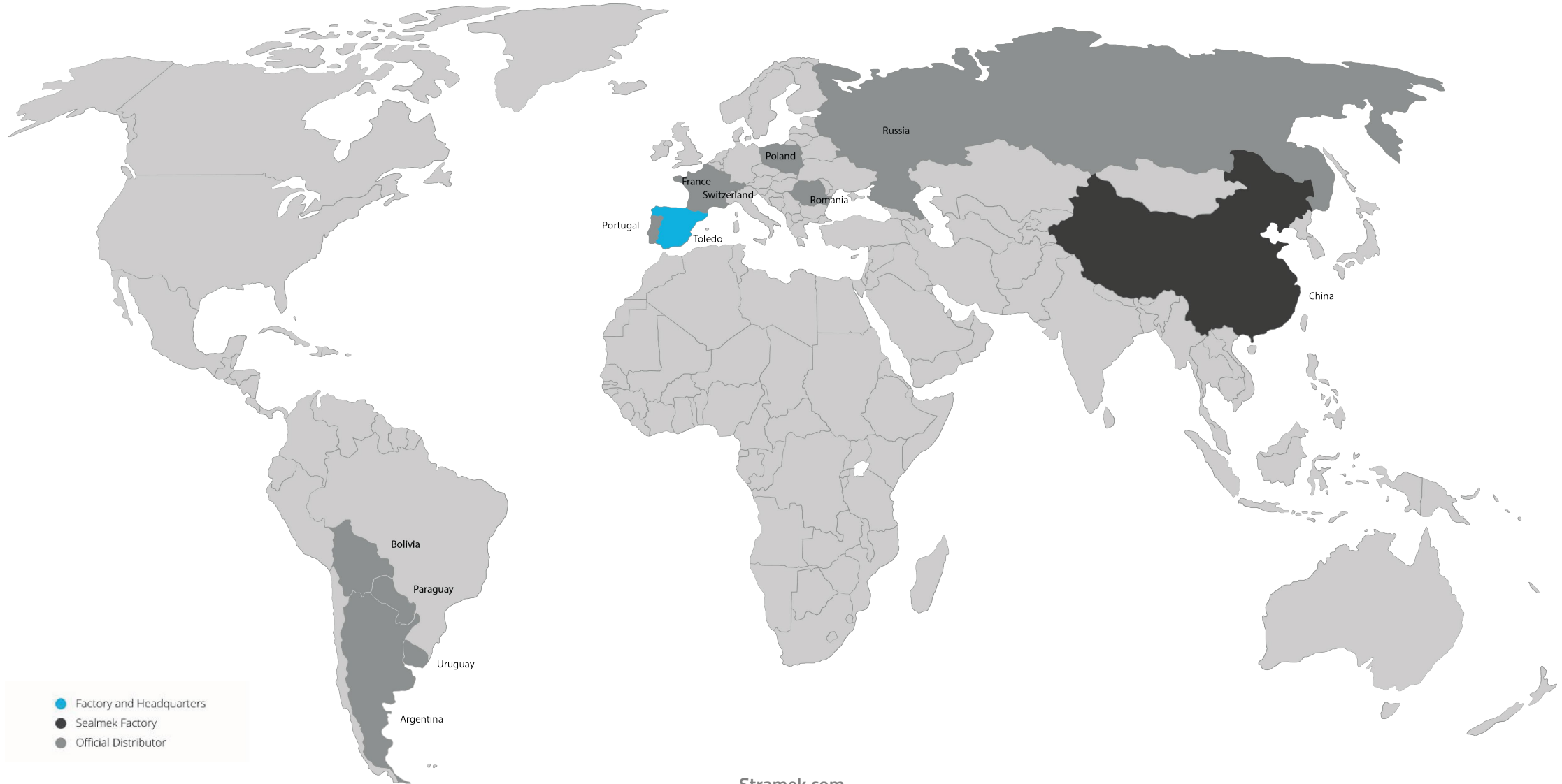
- Spanish & Portuguese market
- European market
- South American Market



Located in **Toledo – Seseña** (SPAIN)

1. Company Introduction

Stramek, around the world



2

STK Stramek

Mechanical Seals & Seals Supply Systems

2. Office & factory

2.1 Stramek, CNC Machining

2.2 Stramek, a Professional team

At Your Disposal

Stramek.com

2. Office and Factory

Office & Factory



250m² – Human resources:

Sales Manager / International Sales Department /
Purchases and Accounts Department / Administrative
Technician / Production Engineer / Managing Director



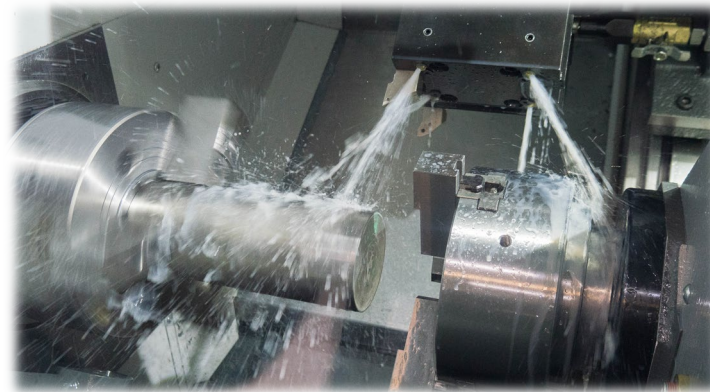
750m² – Machinery:

CNC lathe HAAS DS30Y (4-axis) (vacuum system) / CNC lathe HAAS ST15
(3-axis) (vacuum system) / CNC mill HAAS VF-3 (5-axis) / Manual lathe
/ Manual mill / Lapping machine (2x20" 1x15")

Stramek.com

2. Office and Factory

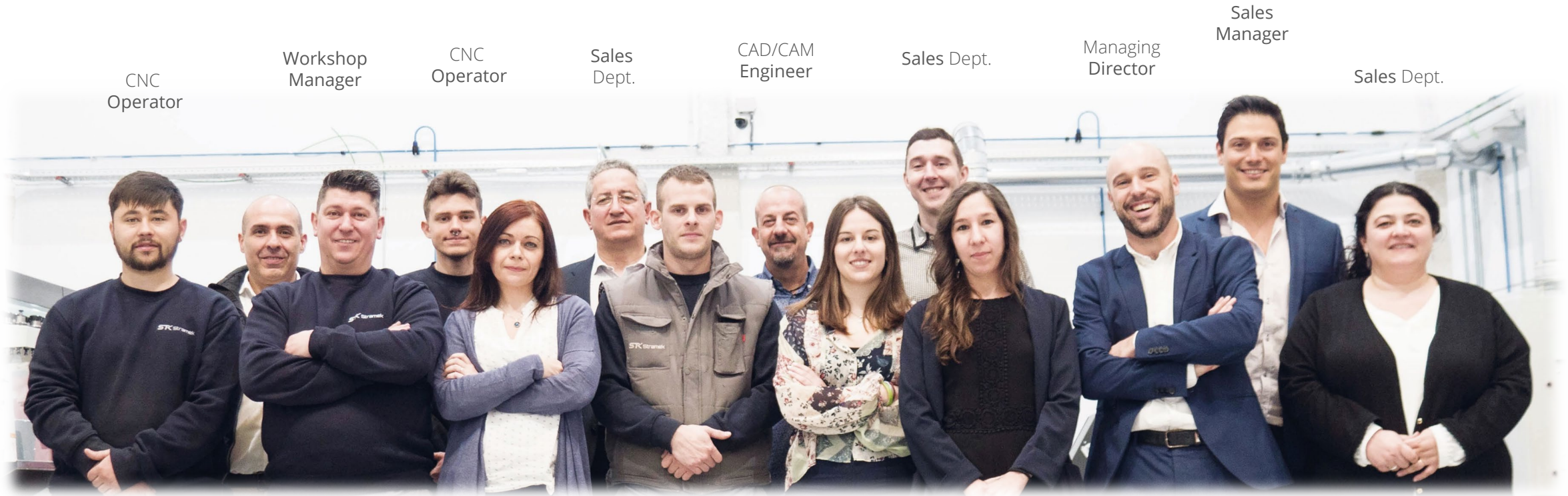
Stramek, CNC machining



Stainless steel, aluminum, titanium and alloy
Carbon graphite resin impregnated & other qualities
Technical plastics (PTFE, POM, PA, etc)

2. Office and Factory

Stramek, a professional team



CNC Operator

Workshop Manager

CNC Operator

Sales Dept.

CAD/CAM Engineer

Sales Dept.

Managing Director

Sales Manager

Sales Dept.

Sales Dept.

Accounts Dept.

Warehouse Dept.

Production Engineer

Marketing Assistant

May 2019

3



Mechanical Seals & Seals Supply Systems

3. Products and Services

3.1 Stramek

3.2 Sealmek

3.3 Packaging

4.3 Engineering & Design

Products

3. Products and Services

Complete range, **Mechanical Seals**



STK Stramek

+

STK Sealmek

3. Products and Services

Complete range, **Mechanical Seals**



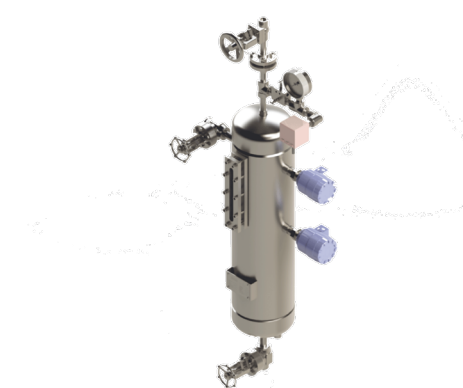
Engineering & Special



Semi-Cartridge



Cartridge and **Engineered** Seals
+
Supply Systems & Components



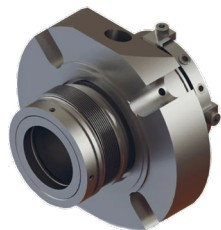
API Plan 52/53A



API Plan 53B



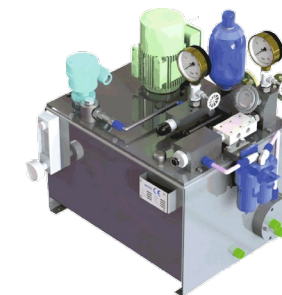
Mixer



Cartridge and API 682



Stramek.com



API Plan 54



Quench

3. Products and Services

Complete range, **Mechanical Seals**



Stationary Parts



Elastomer Bellow



Component Seals

+

OEM Seals



OEM compatible industrial pump brands such as Grundfos-Sarlin®, ABS®, Alfa Laval®, APV®, Fristam®, Hilge®, KSB, etc.



Conical Spring



PTFE Seals

Stramek.com

3. Products and Services

Packaging

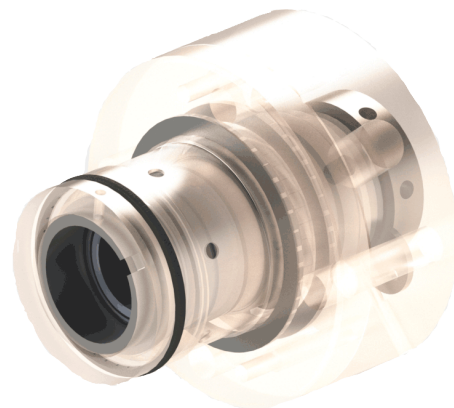
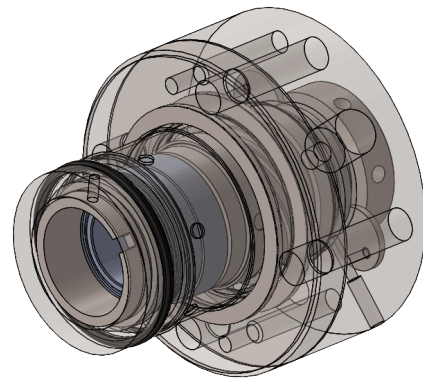
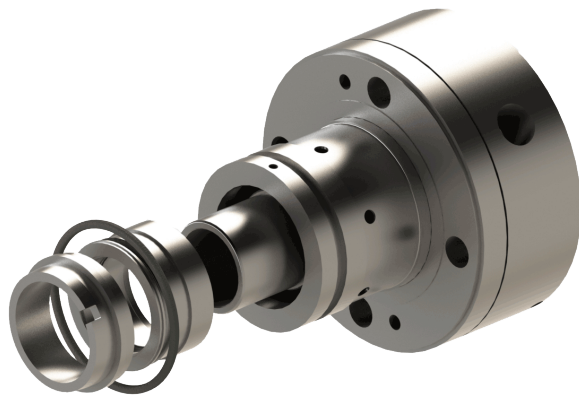


Stramek.com

Sealing | Technology | Knowhow

3. Products and Services

Stramek, Engineering & Design



Software:

- CAD- SolidWorks
- CAM- SolidCam
- SAP



4

STK Stramek

Mechanical Seals & Seals Supply Systems

4. Different and Competition

4.1 Approvals & Certifications

Commitment

Stramek.com

4. Different and competition

Quality our commitment

We offer **unique** and **competitive solutions**



and others on demand...

Mechanical Seals & Seals Supply Systems

Stramek.com

Follow us on:

