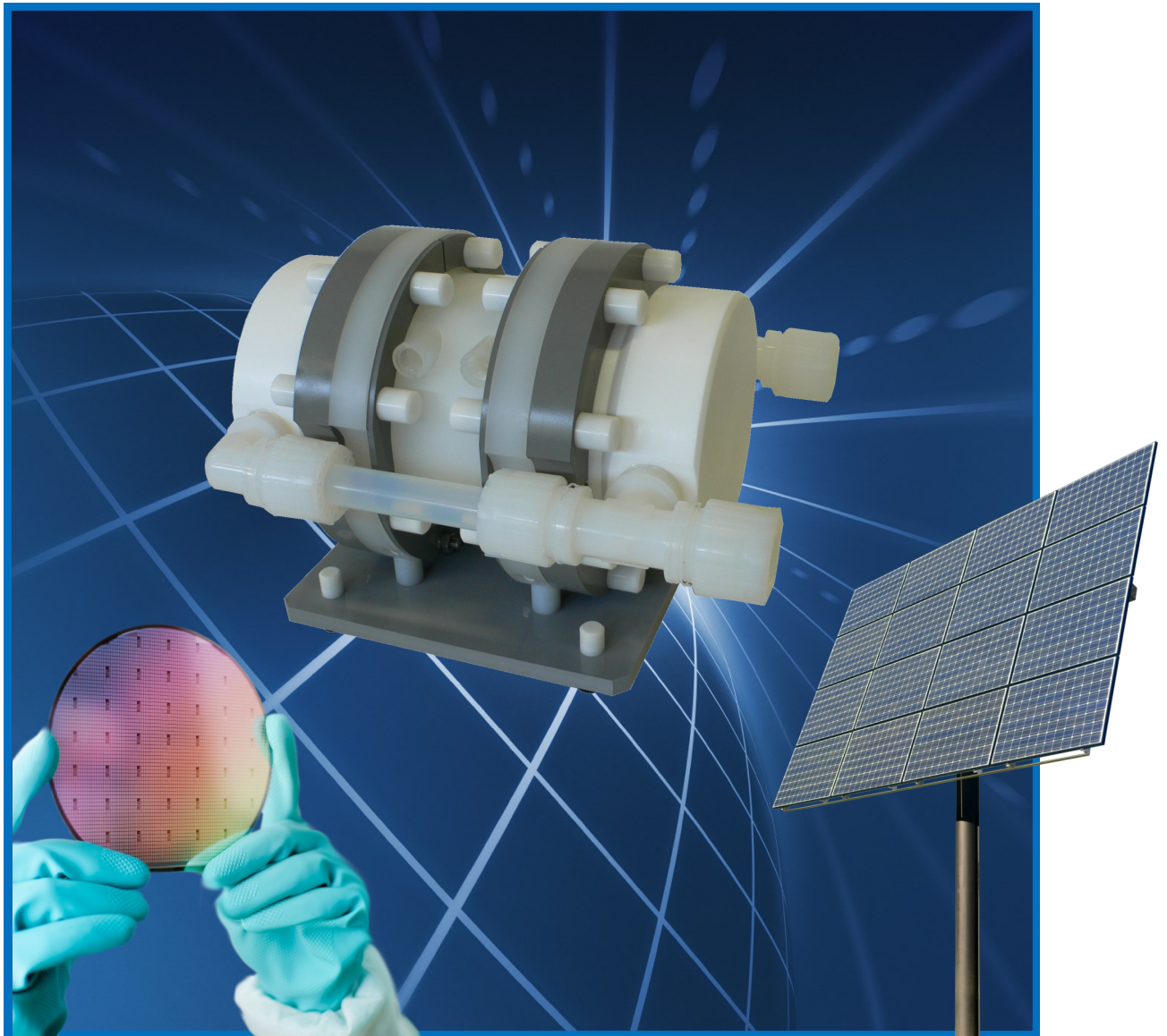


HIGH FLOW / COMPACT DESIGN

High Purity **PTFE** Pumps



Yamada[®]

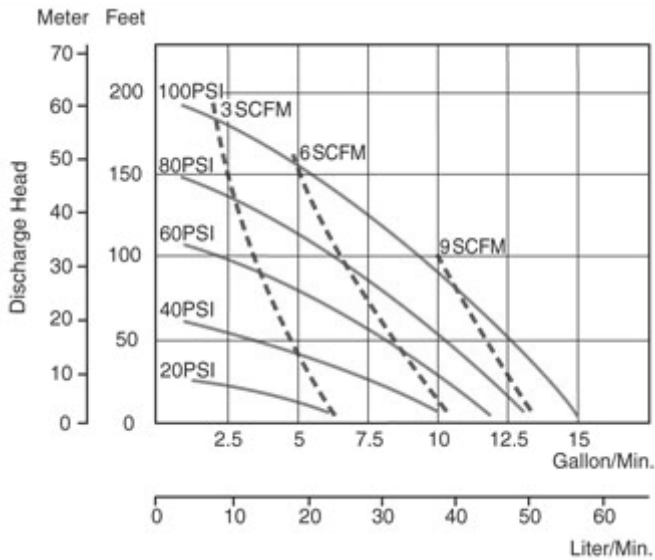
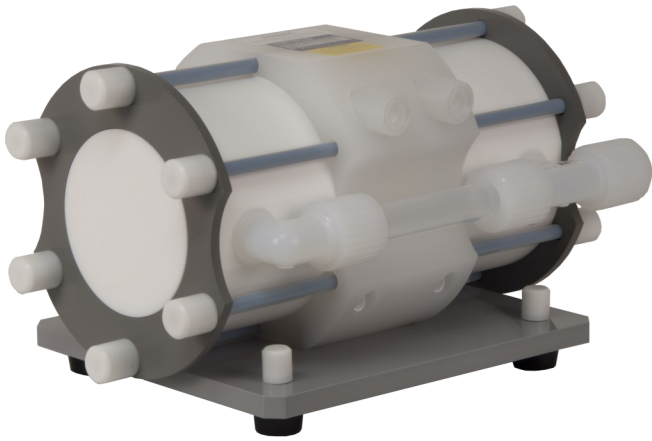
WWW.YAMADAPUMP.COM

Table of Contents

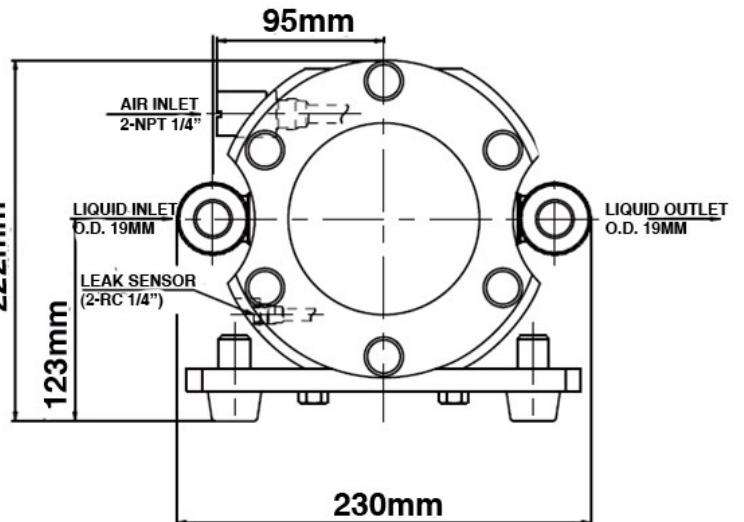
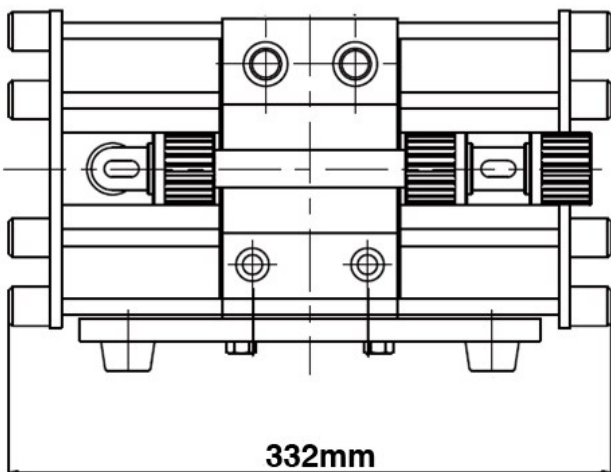
DP-C20F.....	3
DP-C25F.....	4
DP-C38F.....	5
DP-Fi.....	6
NDP-BTT.....	7
Pulsation Dampeners.....	8
Electro-Polished Pumps.....	9
Electro-Polished Pump Curves & CAD Drawings.....	10

DP-C20F PUMPS

**MEDIUM FLOW
NON-METAL
COMPACT DESIGN**

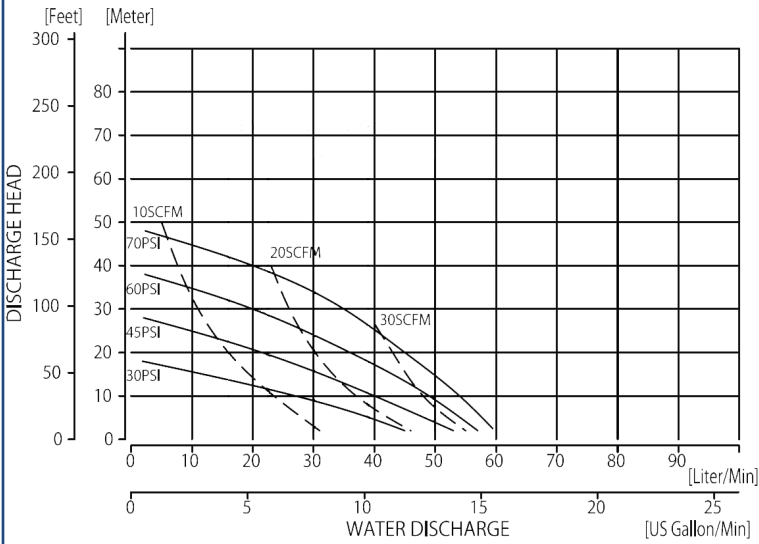
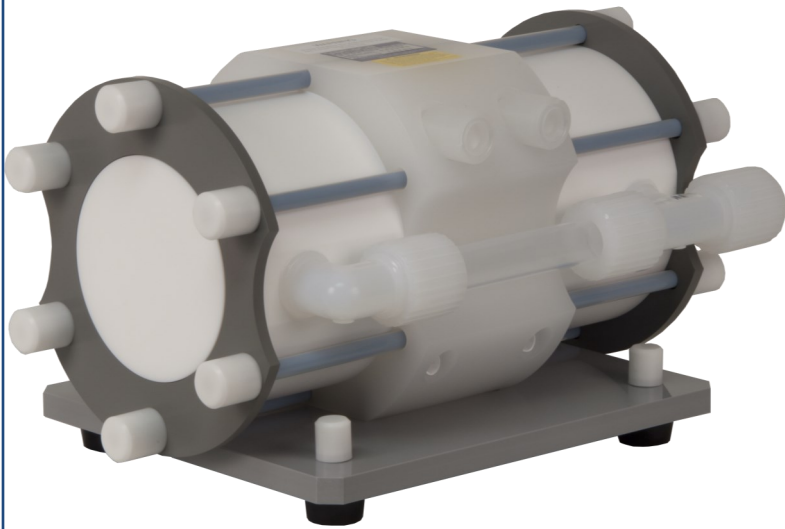


TYPE		DP-C20FEXT
Fluid Connection	Suction Port	TUBE SIZE
	Discharge port	O.D. 19 mm
Air Connection	Supply Port	2-Rc 1/4 NPT
	Exhaust Port	
Operating Air Pressure		0.2–0.5 MPa / 30-70 psi
Maximum Discharge Pressure		0.5 MPa / 70 psi
Allowable Maximum Intake Pressure		0.06 MPa / 8 psi
Discharge Volume/Cycle		180 mL
Maximum Discharge Volume		40 L/min
Maximum Air Consumption		450 L/min(ANR)
Operating Temperature Range (Ambient)	Temp.	0-70C / 32-158F
	Fluid Temp.	0-80C / 32-176F
Maximum Operating Noise		85 dB
Weight		12.2 kg
External Shuttle Only		
Available Connections: Flaretek, Pillar, SMC & Custom (check with factory)		

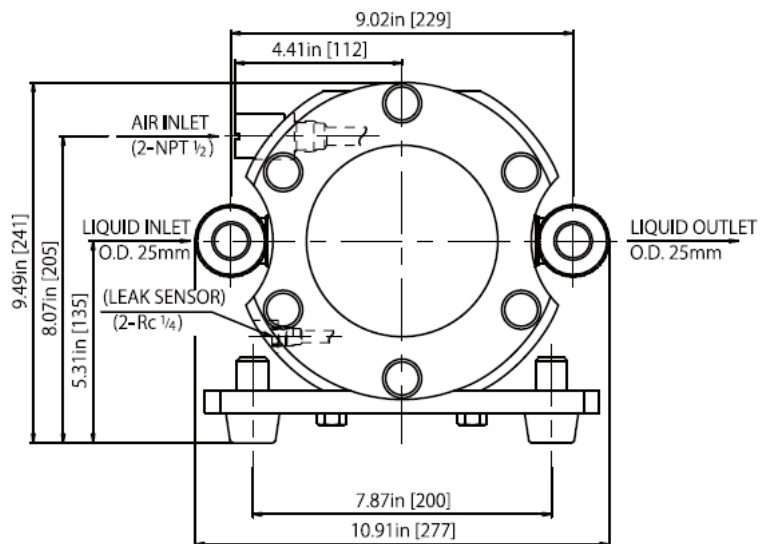
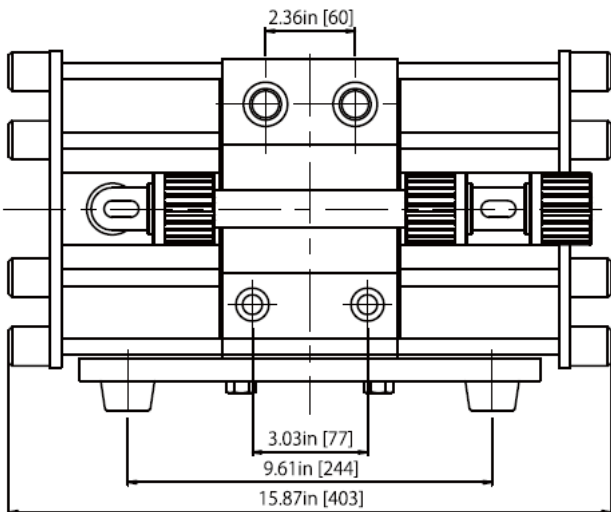


DP-C25F PUMPS

**HIGH FLOW
NON-METAL
COMPACT DESIGN**

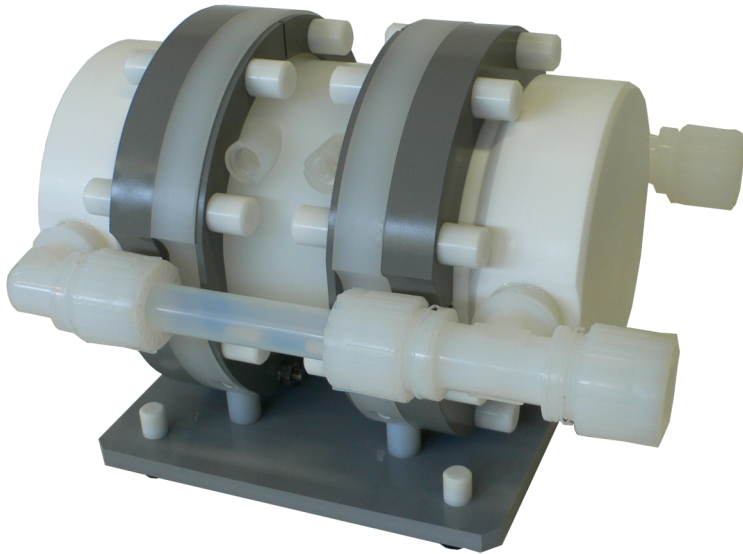


TYPE		DP-C25FEXT
Fluid Connection	Suction Port	TUBE SIZE
	Discharge port	O.D. 25 mm
Air Connection	Supply Port	Rc 1/2"
	Exhaust Port	
Operating Air Pressure		0.2–0.5 MPa
Maximum Discharge Pressure		0.5 MPa
Allowable Maximum Intake Pressure		0.06 MPa
Discharge Volume/Cycle		300 mL
Maximum Discharge Volume		60 LPM
Maximum Air Consumption		900 L/min(ANR)
Operating Temperature Range (Ambient)	Temp.	0-70C
	Fluid Temp.	0-80C
Maximum Operating Noise		85 dB
Weight		19.2 kg
External Shuttle Only		
Available Connections: Flaretek, Pillar, SMC & Custom (check with factory)		

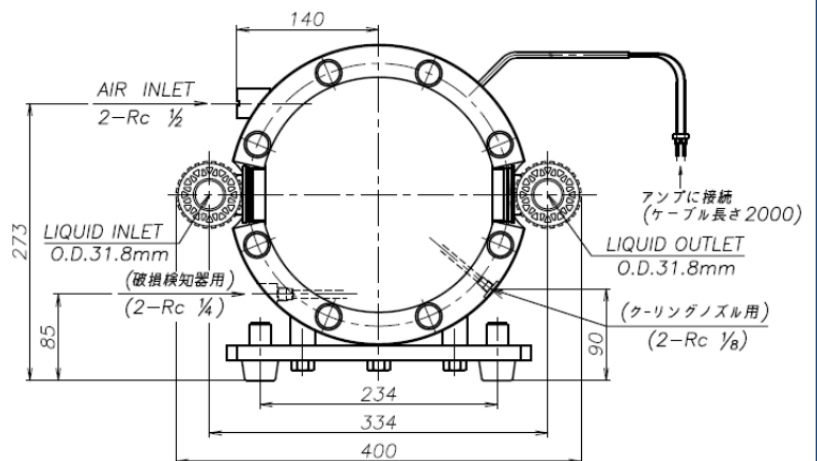
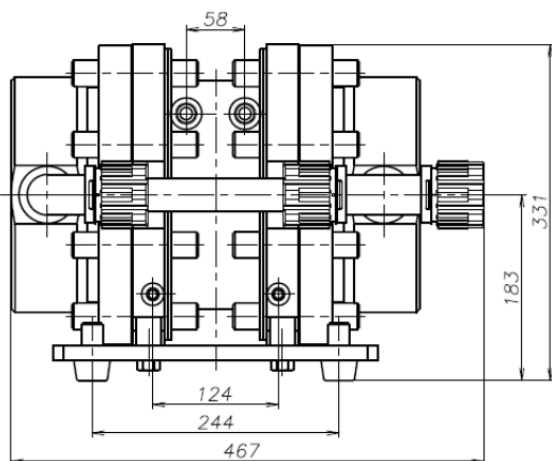
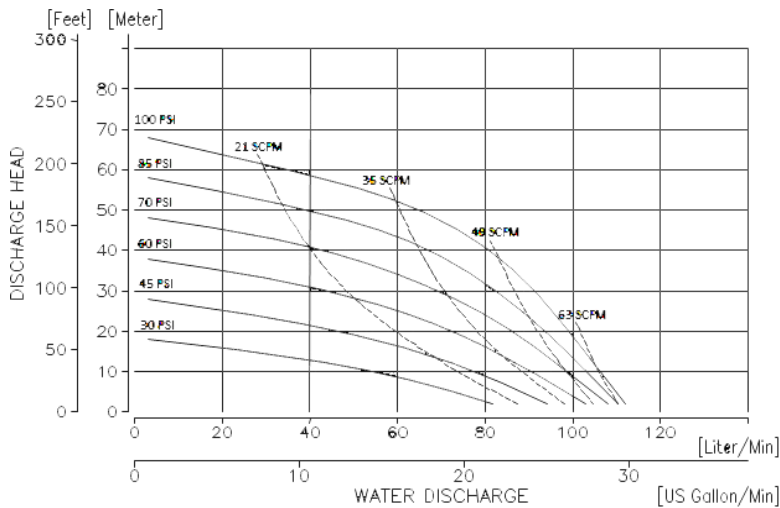


DP-C38F PUMPS

**HIGH FLOW
NON-METAL
COMPACT DESIGN**



TYPE		DP-C38FE/SD
Fluid Connection	Suction Port	TUBE SIZE
	Discharge port	O.D. 31.8 mm
Air Connection	Supply Port	Rc 1/2"
	Exhaust Port	
Operating Air Pressure		0.2-0.7 MPa
Maximum Discharge Pressure		0.7 MPa
Allowable Maximum Intake Pressure		0.06 MPa
Discharge Volume/Cycle		900 mL
Maximum Discharge Volume		120 LPM
Maximum Air Consumption		1800 L/min(ANR)
Operating Temperature Range (Ambient)	Temp.	0-70C
	Fluid Temp.	0-80C
Maximum Operating Noise		81dB
Weight		38 kg
External Shuttle Only		
Available Connections: Flaretek, Pillar, SMC & Custom (check with factory)		

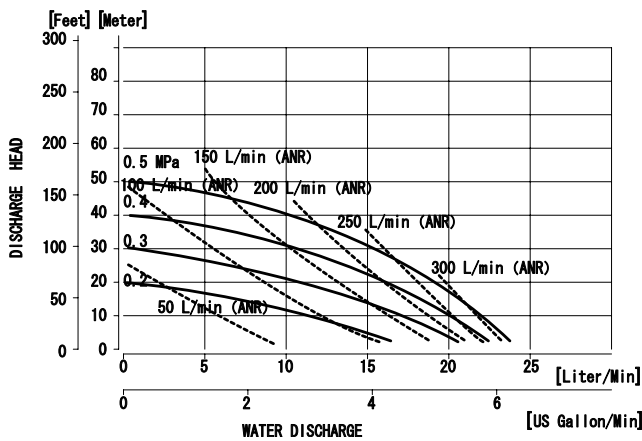


DP-Fi PUMPS

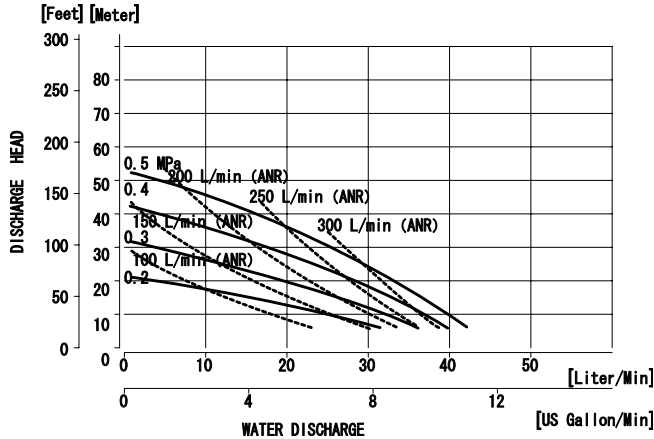
**NON-METAL
COMPACT DESIGN**



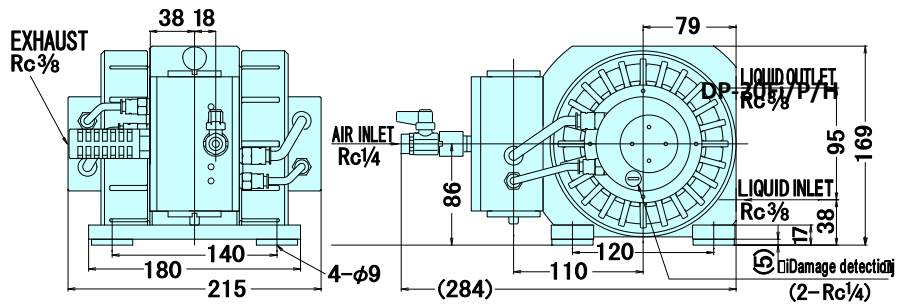
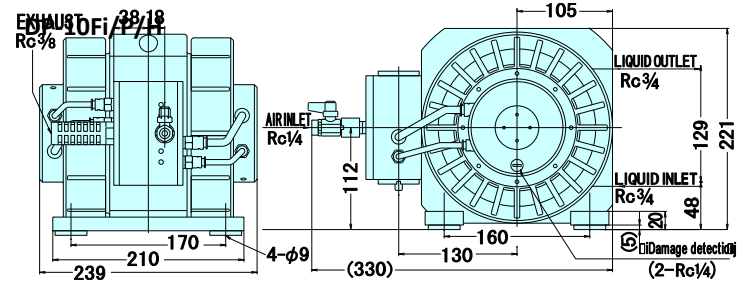
DP-10Fi/P/H



DP-20Fi/P/H

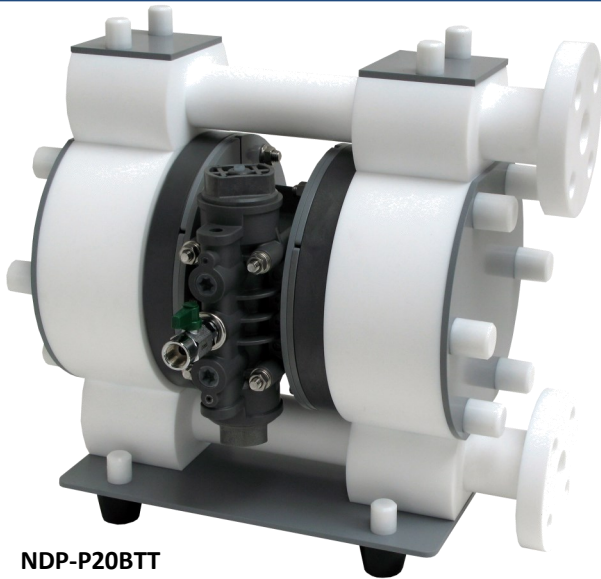


TYPE		DP-10Fi/P/H	DP-20Fi/P/H
Fluid Connection	Suction Port	3/8" (10A)	3/4" (20A)
	Discharge port	3/8" (10A)	3/4" (20A)
Air Connection	Supply Port	Rc 1/4"	
	Exhaust Port		
Operating Air Pressure		0.2-0.5 MPa	
Maximum Discharge Pressure		0.5 MPa	
Allowable Maximum Intake Pressure		0.06 MPa	
Discharge Volume/Cycle		70 mL	185 mL
Maximum Discharge Volume		24 LPM	42 LPM
Maximum Air Consumption		330 L/min (ANR)	370 L/min (ANR)
Operating Temperature Range (Ambient)	Temp.	0-70C	
	Fluid Temp.	0-80C	
Maximum Operating Noise		85 dB	88 dB
Weight		9.6 kg	17.2 kg
Internal PEEK Shuttle Only			

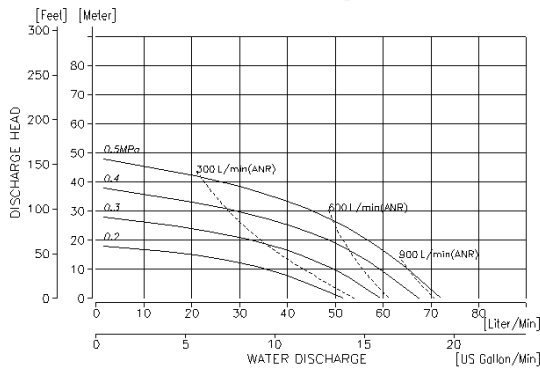


NDP-BTT PUMPS

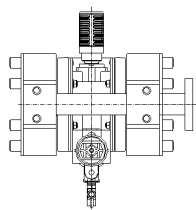
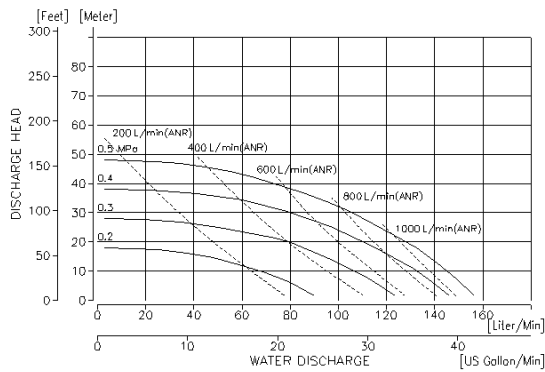
**NON HIGH-PURITY
HIGH-FLOW
Slurry Servant**



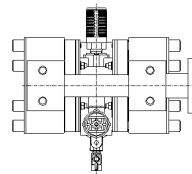
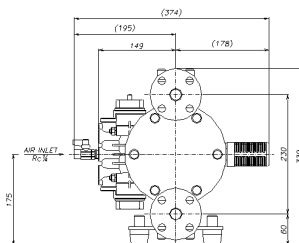
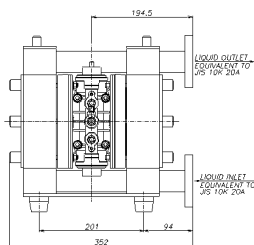
NDP-P20BTT



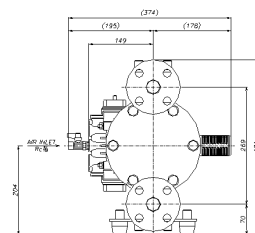
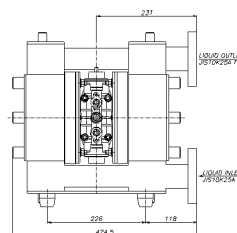
NDP-P25BTT



NDP-P20BTT



NDP-P25BTT



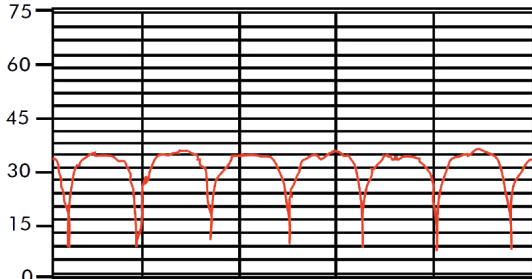
TYPE		NDP-P20BTT	NDP-P25BTT
Fluid Connection	Suction Port	3/4" (20A)	1" (25A)
	Discharge port	3/4" (20A)	1" (25A)
Air Connection	Supply Port	Rc 1/4"	Rc 3/8"
	Exhaust Port		
Operating Air Pressure		0.2-0.7 MPa	
Maximum Discharge Pressure		0.75 MPa	
Allowable Maximum Intake Pressure		0.06 MPa	
Discharge Volume/Cycle		300 mL	600 mL
Maximum Discharge Volume		70 LPM	150 LPM
Maximum Air Consumption		1100 L/min (ANR)	1300 L/min (ANR)
Operating Temperature Range (Ambient)	Temp.	0-70C	
	Fluid Temp.	0-80C	
Maximum Operating Noise		97 dB	97 dB
Weight		7.0 kg	9.5 kg
Internal Stainless Steel Shuttle Only			

Pulsation Dampeners

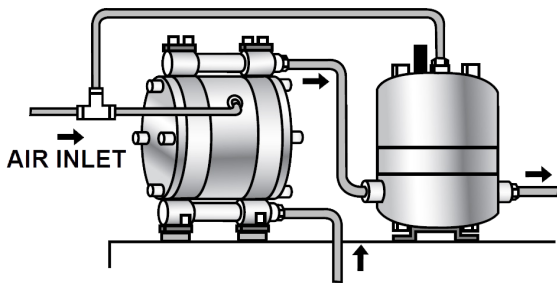
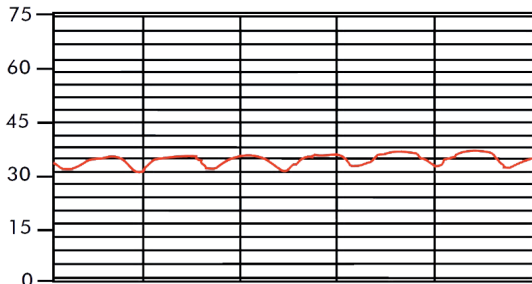
AD-TT & AD-TT/N/M



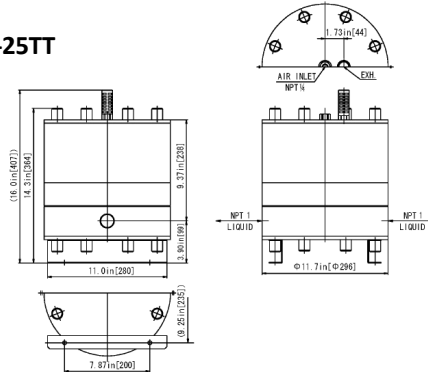
PSI WITHOUT PULSATION DAMPENER



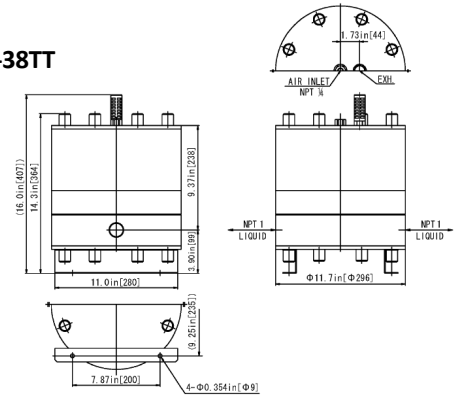
PSI WITH PULSATION DAMPENER



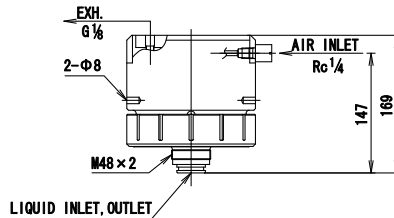
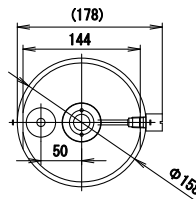
AD-25TT



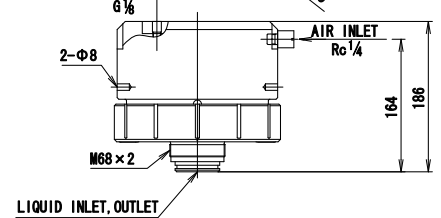
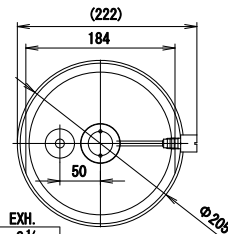
AD-38TT



AD-10TT/N/M



AD-20TT/N/M



Model Number

For Pump Models

Air Inlet

Liquid Inlet & Discharge

Weight

AD-25TT

DP-C25F EXT

Rc 1/4"

3/4" Rc or 1" Flaretek

12.0 kg

AD-38TT

DP-C38FE/SD

Rc 1/4"

1" Rc or 1" Flaretek

38.0 kg

AD-10TT/N/M

DP-10Fi/P/H

Rc 1/4"

3/8" Rc

2.3 kg

AD-20TT/N/M

DP-20Fi/P/H

Rc 1/4"

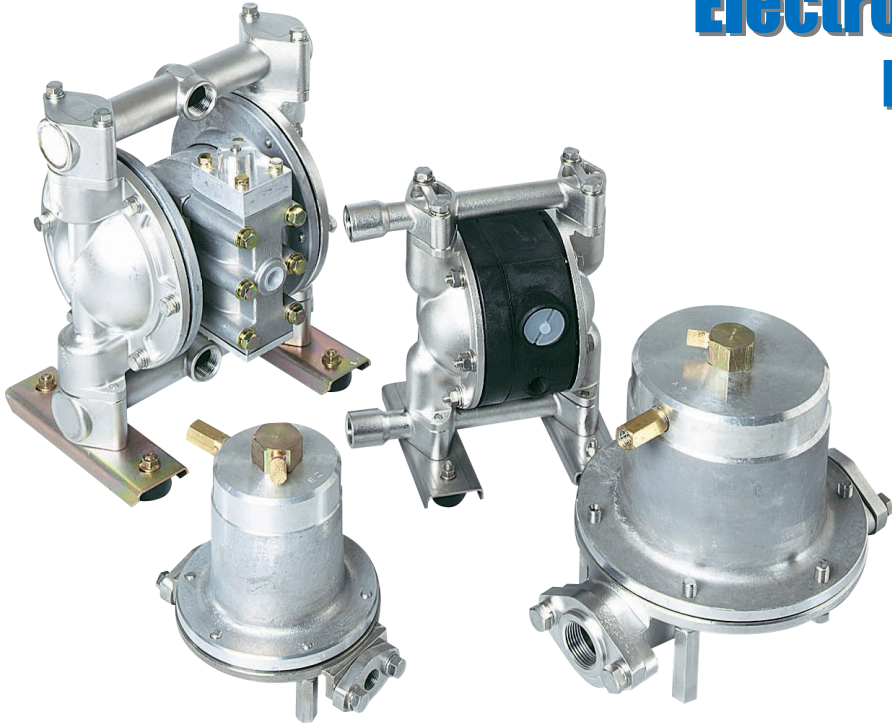
3/4" Rc

3.8 kg

Available Connections: Flaretek, Pillar, SMC & Custom (check with factory)

Electro-Polished Pumps

NDP EP Series



Additional Options:

Other diaphragm materials are available

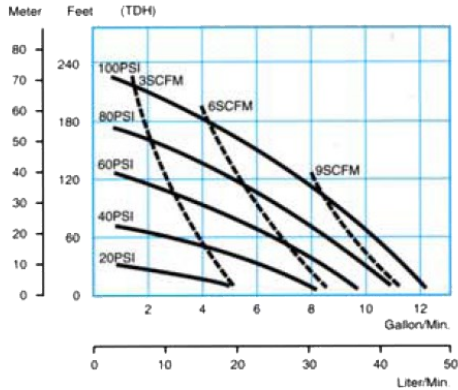
PTFE Coated air motor

	NDP-15BST-EP-20Ra	NDP-20BST-EP-20Ra	NDP-25BST-EP-20Ra	Note: All EP Series Pumps Include:
Discharge Volume/ Cycle	0.031 gal. (119 cc)	0.0 gal. (378 cc)	0.17 gal (654 cc)	20Ra Electro-Polished 316 Stainless Steel Housings
Maximum Cycles/ Minute	400	195	210	
Port Dimensions:				
Liquid Inlet & Discharge	1/2" FNPT	3/4" FNPT	1" FNPT	PTFE Diaphragms
Air Inlet	1/4" FNPT	1/4" FNPT	3/8" FNPT	
Air Exhaust	3/4" FNPT	3/4" FNPT	3/4" FNPT	
Net Weight	14.5 lbs. (6.6 kg.)	33.1 lbs. (15.0 kg.)	50.7 lbs. (25 kg.)	One piece capped center disk
Air Supply Pressure	All Models: 20 to 100 PSI			Aluminum air motor with <u>NO COATING</u>
Maximum Liquid Temperature	All Models: 212° F			

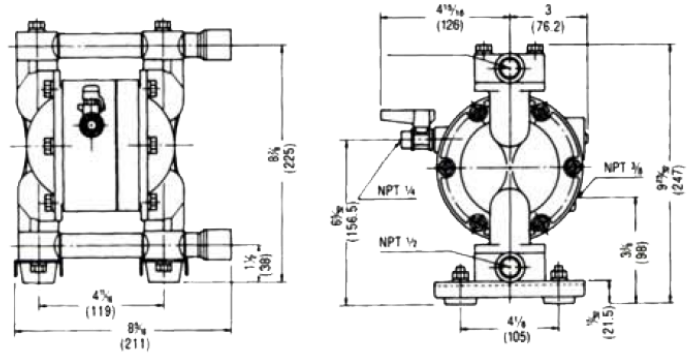
Electro-Polished Pumps

NDP EP Series Pump Curves & CAD Drawings

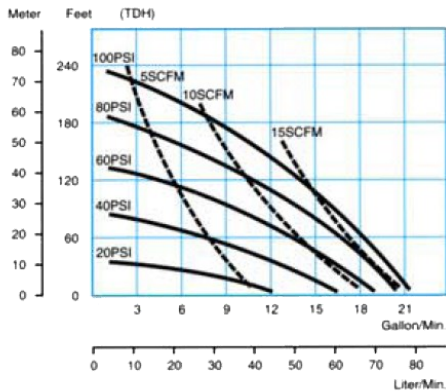
NDP-15 PTFE



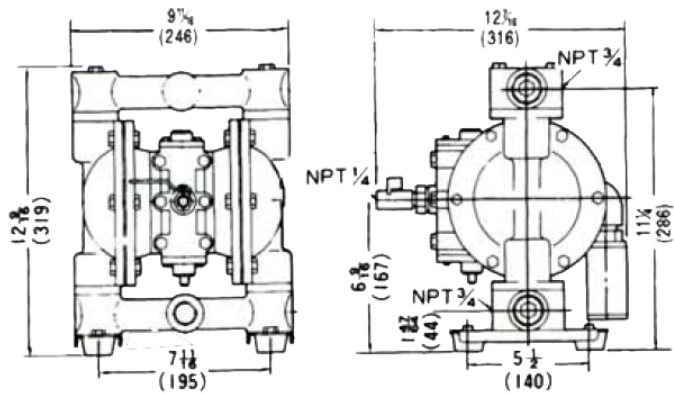
NDP-15 PTFE



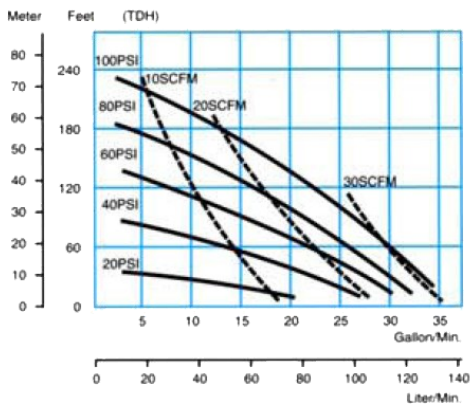
NDP-20 PTFE



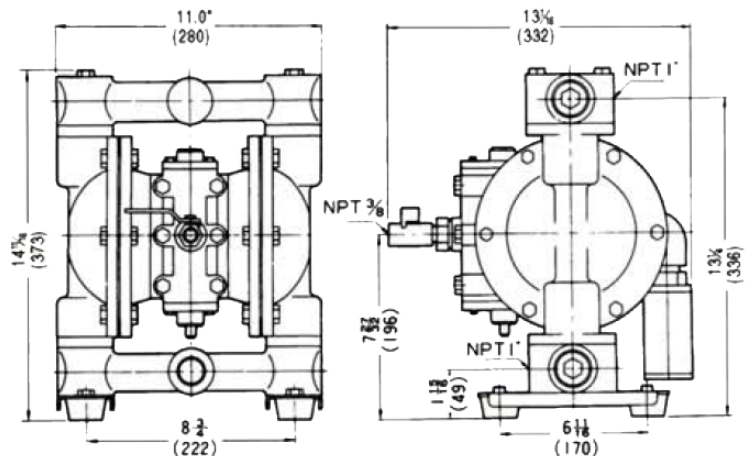
NDP-20 PTFE



NDP-25 PTFE



NDP-25 PTFE



Notes:

1-800-990-7867
sales@yamadapump.com

Yamada®

