

## TORNADO® Rotary Lobe Pumps

T.Proc® – Reliable in your process



# TORNADO® Rotary Lobe Pumps T.Proc®

Designed for applications in chemical and industrial processes

**WEAR RESISTANT**

**SERVICE FRIENDLY**

**GENTLE MEDIA  
HANDLING**

**PROCESS SAFETY**



**DURABLE**

**RELIABLE**



## The most suitable solution for each application

The demands in applications in process plants require various pump systems. NETZSCH rotary lobe and progressing cavity pumps, as well as grinders, provide the optimum solution regarding the process parameters.

For some applications the use of either rotary lobe or progressing cavity pump is potentially possible. NETZSCH as producer of both pump technologies is ideally positioned to offer impartial and qualified advice, which pump technology is best suited to your application.

**COMPACT**

**HYDRAULICALLY OPTIMIZED AND  
WITH LOW PULSATION**

# TORNADO® T.Proc® – the right choice for your application

NETZSCH TORNADO® Rotary Lobe Pumps T.Proc® – Operating Parameters

Range	Model		Flowrate at nominal speed range (theoretical)	Speed (nominal) recommended range	Flowrate at max. speed (theoretical)	Speed max.
			appr. m <sup>3</sup> /h	rpm	m <sup>3</sup> /h	rpm
T1	MB-1		<b>3 to 14</b>	100 to 500	23	800
T1	MB-2		<b>4 to 20</b>	100 to 500	32	800
T2	04/45	08/45	<b>8 to 39</b>	100 to 500	46	600
T2	08/45		<b>8 to 39</b>	100 to 500	46	600
T2	03/70	06/70	<b>12 to 58</b>	100 to 500	70	600
T2	06/70		<b>12 to 58</b>	100 to 500	70	600
T2	04/100	08/100	<b>16 to 82</b>	100 to 500	99	600
T2	08/100		<b>16 to 82</b>	100 to 500	99	600
T2	03/140	06/140	<b>24 to 119</b>	100 to 500	142	600
T2	06/140		<b>24 to 119</b>	100 to 500	142	600
T1	XLB-2		<b>30 to 151</b>	100 to 500	166	550
T1	XLB-3		<b>43 to 214</b>	100 to 500	235	550
T1	XLB-4		<b>60 to 302</b>	100 to 500	332	550
T1	XLB-6/2		<b>121 to 604</b>	100 to 500	604	500
T1	XLB-8/2		<b>181 to 905</b>	100 to 500	905	500

**1** Rotor setting device

**2** Front cover

**3** Cover liner

**4** Rotor

**5** Seal

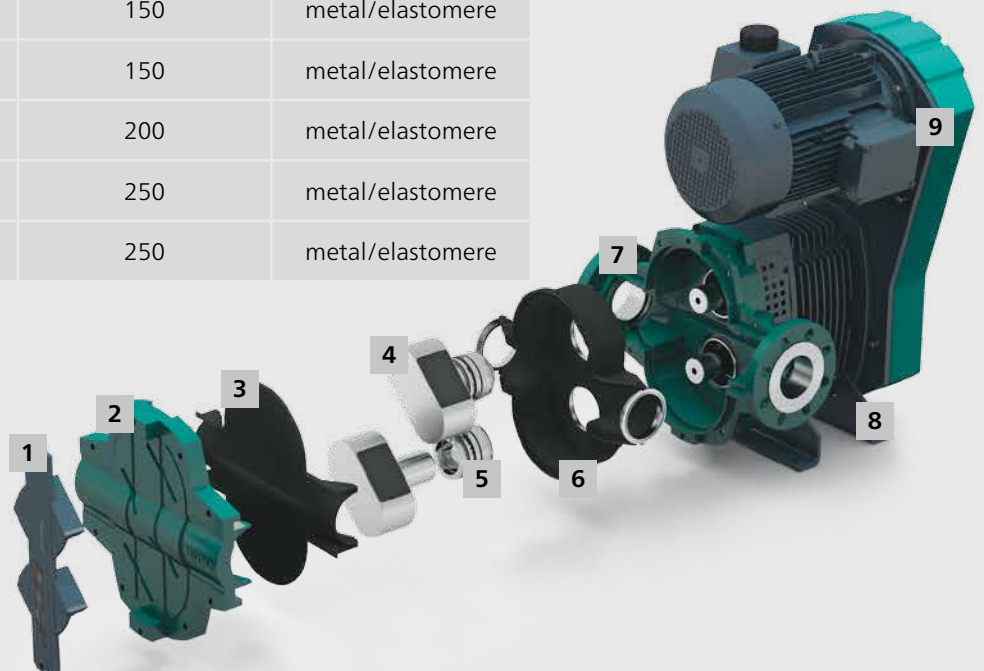
**6** Casing liner

**7** Rotor case

**8** Bearing housing

**9** Tooth belt drive

Discharge pressure (max.) continuous/intermitted		Displacement (theoretical)	Flange connections	Pump head materials (wetted)
bar	l/r			
6/8		0,47	65	metal/elastomere
6/8		0,67	80	metal/elastomere
4/6	8/10	1,27	80	metal/elastomere
8/10		1,27	80	all metall
3/5	6/8	1,90	100	metal/elastomere
6/8		1,90	100	all metall
4/6	8/10	2,74	125	metal/elastomere
8/10		2,74	125	all metall
3/5	6/8	3,95	125	metal/elastomere
6/8		3,95	125	all metall
4/6		5,03	150	metal/elastomere
4/6		7,12	150	metal/elastomere
4/6		10,06	200	metal/elastomere
4/5		20,12	250	metal/elastomere
3/5		30,18	250	metal/elastomere



# TORNADO® Rotary Lobe Pumps – totally reliable everywhere

Filling of abrasive and chemically aggressive adhesive agent. Flowrate appr. 5 to 15 m<sup>3</sup>/h against a discharge pressure of 3 bar.



Pulsation free and media gentle conveyance of offset paint. Flowrate of appr. 20 m<sup>3</sup>/h against a discharge pressure of 1,5 bar.





A TORNADO® pump in a paper factory for unloading Kaolin from tankers. Flow rate is 75 m<sup>3</sup>/h and pressure is 4 bar.



Mobile pumps: For industrial applications, where mobility and flexibility are required. Mobile units are designed to meet customer specification and requirement.

The NETZSCH Group is a mid-sized, family-owned German company engaging in the manufacture of machinery and instrumentation with worldwide production, sales, and service branches.

The three Business Units – Analyzing & Testing, Grinding & Dispersing and Pumps & Systems – provide tailored solutions for highest-level needs. Over 3,000 employees at 163 sales and production centers in 28 countries across the globe guarantee that expert service is never far from our customers.

The NETZSCH Business Unit Pumps & Systems offers with NEMO® progressing cavity pumps, TORNADO® rotary lobe pumps, screw pumps, macerators/grinders, dosing technology and equipment custom built and challenging solutions for different applications on a global basis.

NETZSCH Rotary Lobe Team

Tel.: + 49 8638 63-2400

Fax: + 49 8638 63-92400

info.tornado@netzsch.com

www.netzsch.com

NETZSCH Pumpen & Systeme GmbH

Geretsrieder Straße 1

84478 Waldkraiburg

Germany

**BLUECOMPETENCE**

Alliance Member

Partner of the Engineering Industry  
Sustainability Initiative